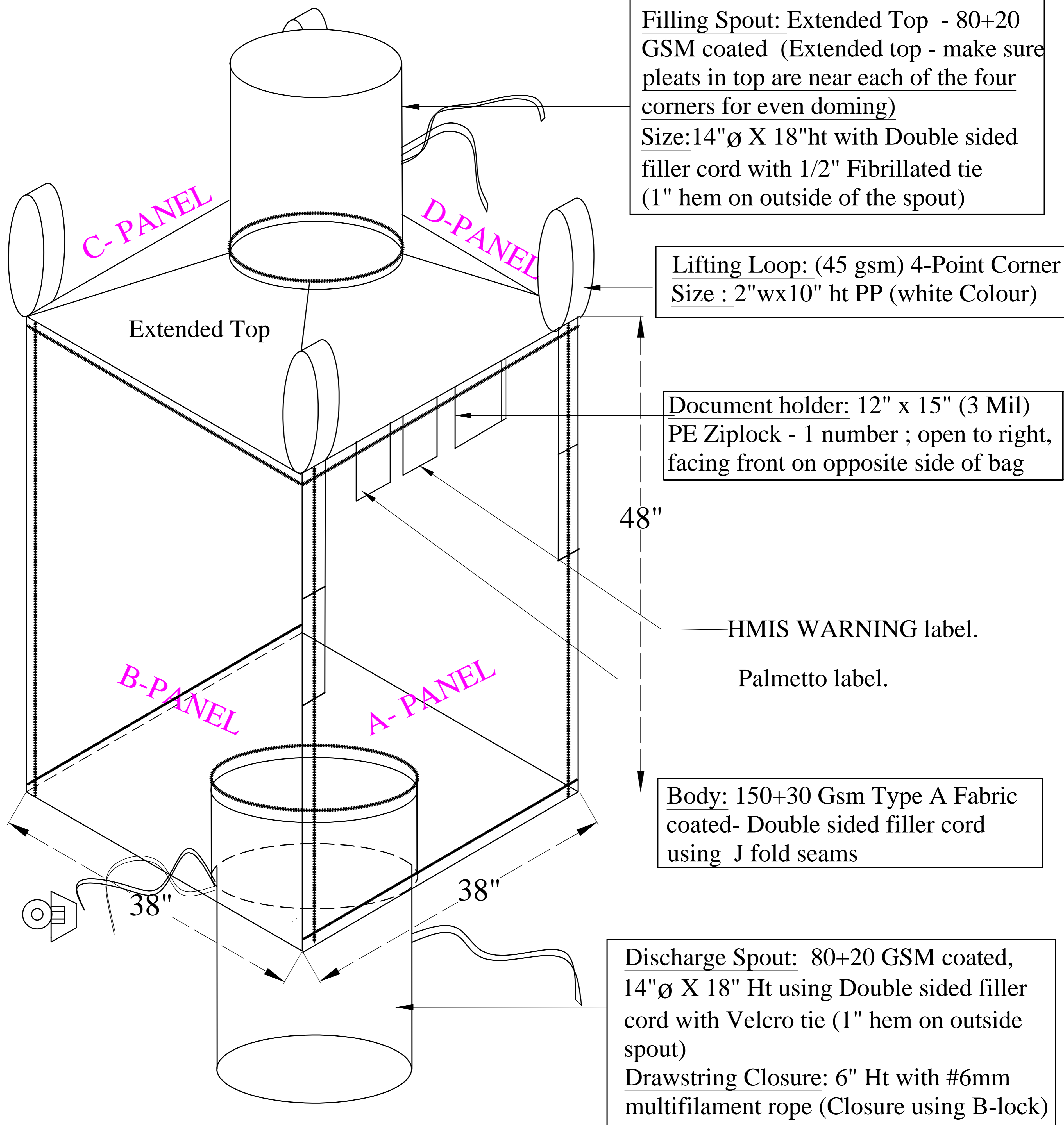




PALMETTO

Customer:	J M HUBER-MARBLE FALLS
Customer Model:	RM010000232 (2300#)
Description:	38" X 38" X 48"
Style:	U Panel/Top Spout / Bottom Drawstring closure

Date:	01.21.2017
Inventory ID:	3511
Palmetto Model:	S 51 - BCELS
Safety Working Load	2300 Lbs
Safety Factor:	5:1



Note: * Type A Bag * Extended top make sure pleats in top are near each of the four corners for even doming
 * 1" hem on outside of the spouts * Velcro- on bottom spout
 * Large B-lock w/ #6mm rope on outer bottom closure

Specification Details

Model : S51 BCELS

Bag Size: 38"X 38" X 48"

No	Name	Specification
1	Body (U-Panel)	150+30 Gsm Coated with Chain stitch Double sided Filler cord using J fold seams
2	Top panel	80+20 gsm coated Extended top set with Double sided fillercord (Extended top make sure pleats in top are near each of four corner for even doming)
3	Filling spout	80+20 GSM Coated . (14"Ø X 18"ht) using Double sided filler cord with 1/2" Fibrillated tie
4	Discharge Spout	80+20 GSM coated Size: (14" Ø X 18" ht) with Velcro tie (Double sided Filler cord)
5	Drawstring Closure	Drawstring Height : 6"Ht tie using #6mm rope tie with rope lock
6	Lift Loops	4 Point Corner (2"wX 10" h) white color- 45gsm
7	Document Pouch	12" x 15"(3 Mil) PE Ziplock-1 number Open to right, facing front on top seam in opposite side
8	Label	1. Palmetto label 2.HMIS warning label

**PLEASE PROVIDE SIGNATURE
FOR APPROVAL:**

Signature:

Date: